
Subject: OrcaLift

Posted by [rrutk](#) on Tue, 22 Apr 2008 12:42:23 GMT

[View Forum Message](#) <> [Reply to Message](#)

Anyone has the textures for the orca lift truck below???? They were in one of the commandpacks, but isnt available for download anymore.

And i would be interessted to know its "history"...

I guess, it was originally created by westwood, but they dont use the model later. they made the ssm-launcher from it.

And the model was later used by the commandmod?
So Genocide fixed or made it?

Because I found the statement from CommandoSR here in the forum:

Aircraftkiller: "Where is the orca lift Truck?"

CommandoSR: "Frankly said, the model got slapped and was turned in to SSM Launcher."

http://www.renegadeforums.com/index.php?t=msg&goto=92123&rid=22815&srch=orca+lift#msg_92123

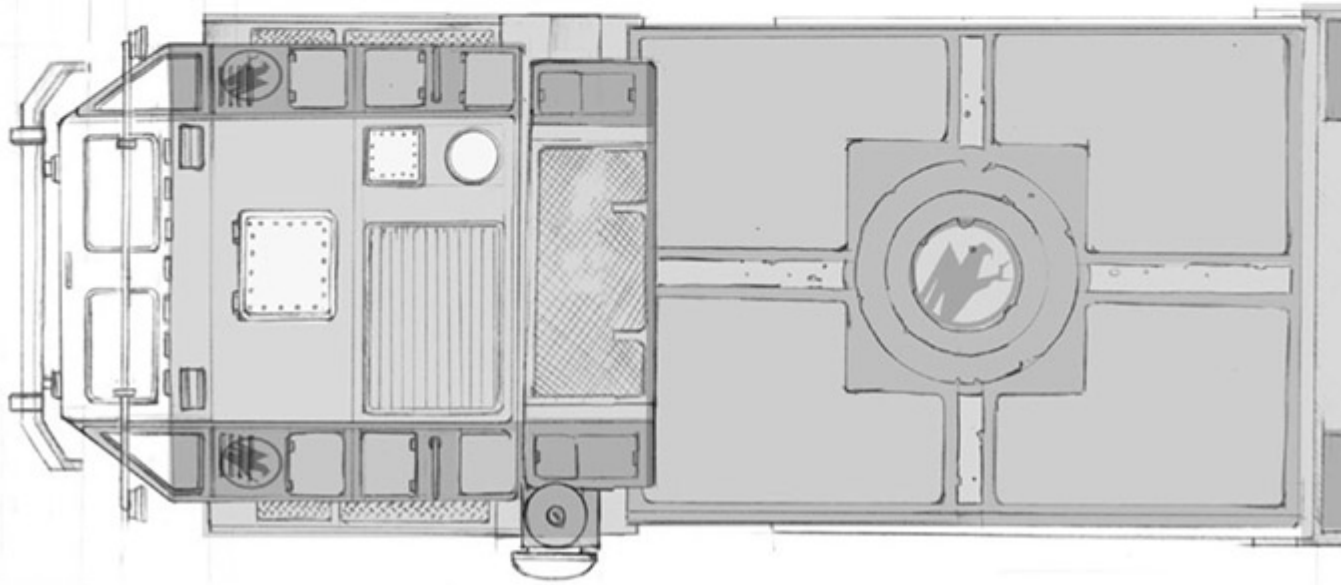
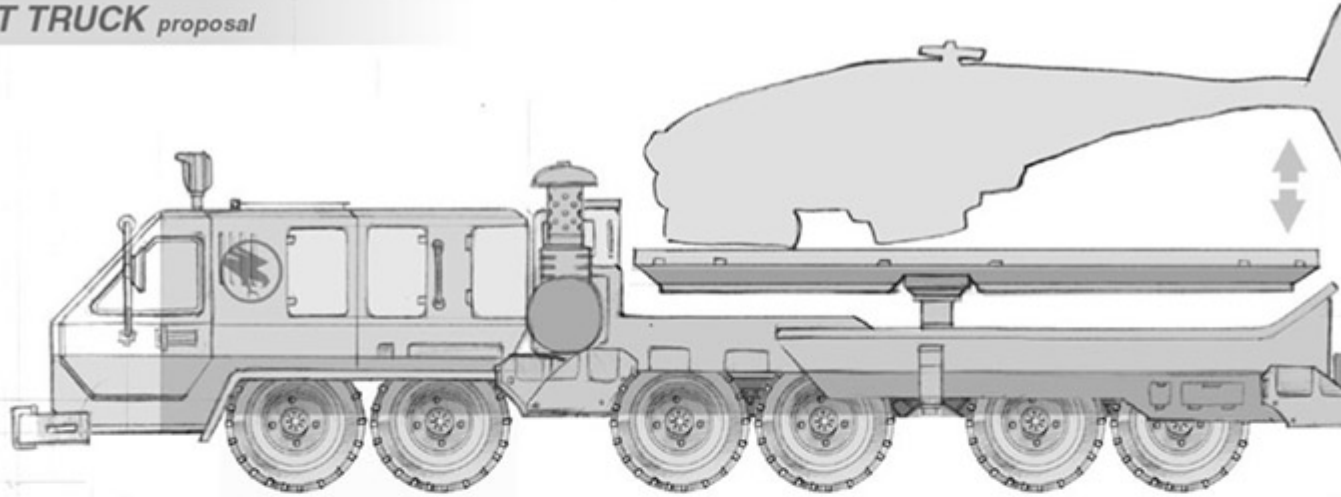
Herewith files:

- gmax without textures
- Original westwood conceptarts of the orcalift
- picture from a topic about the commandmod-assets

File Attachments

1) [Conceptart_GDI_OrcaLift_2.jpg](#), downloaded 605 times

ORCA LIFT TRUCK *proposal*



2) [GDI_OrcaLift_Asset.jpg](#), downloaded 1300 times



- 3) [orcalift.gmax](#), downloaded 169 times
 - 4) [v_orcat2.gmax](#), downloaded 189 times
-