
Subject: Another WIP Map

Posted by [JeepRubi](#) on Mon, 16 Jan 2006 21:02:50 GMT

[View Forum Message](#) <> [Reply to Message](#)

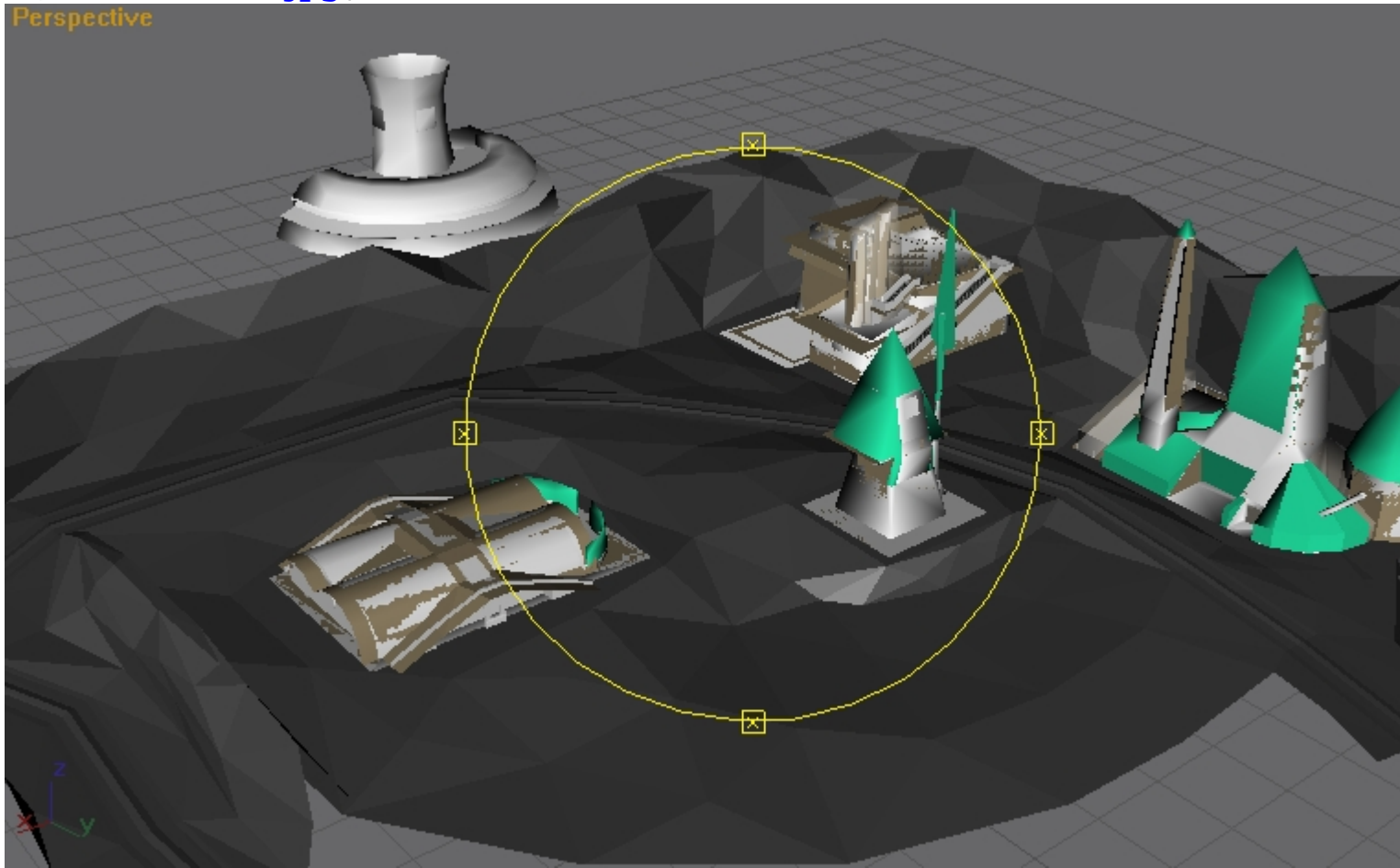
Ive been working on this map for a couple of days and thought it would be neat to show you an update evry once in a while. This way i can get suggestions on the terrain before i put it into level edit. So far it has no texture and all i have is the terrain for the Nod and GDI bases.

Its gunna take awhile because of the way im modeling the terrain but the end result will be awesome.

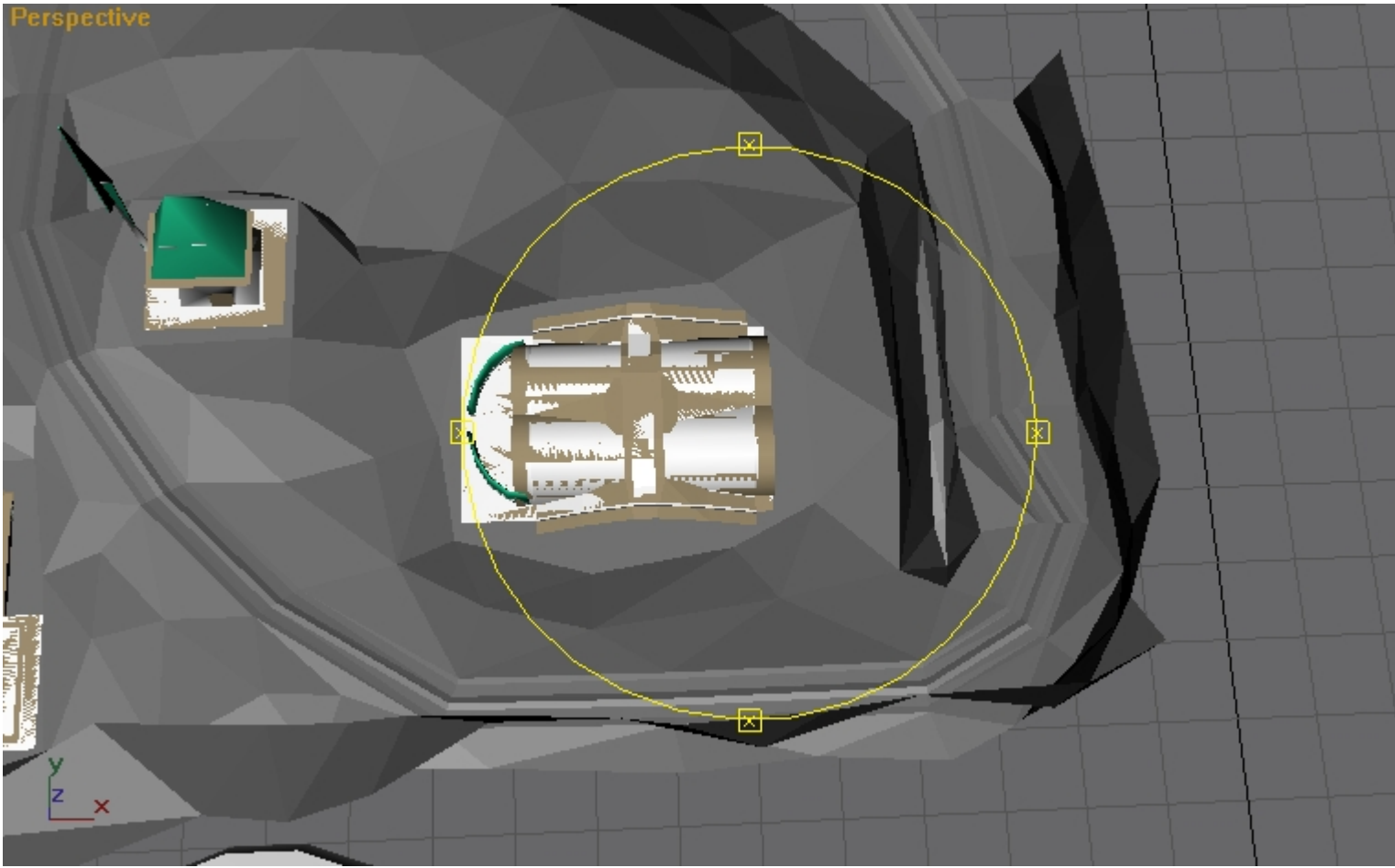
File Attachments

1) [GDIBase 1.jpg](#), downloaded 1442 times

Perspective

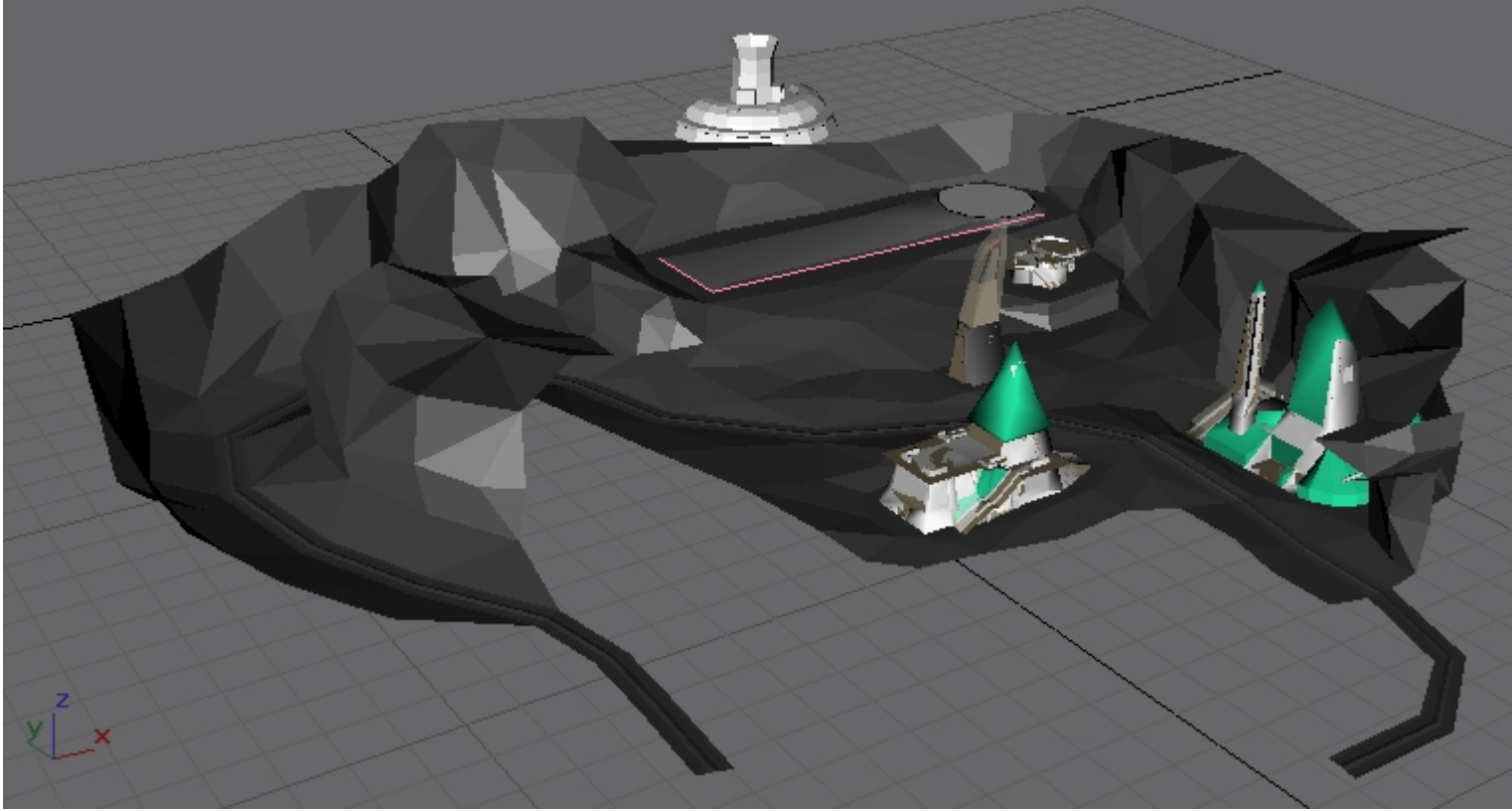


2) [GDIBase 2.jpg](#), downloaded 793 times



3) [Nodbase 1.jpg](#), downloaded 1431 times

Perspective



4) [Nodbase 2.jpg](#), downloaded 1432 times

